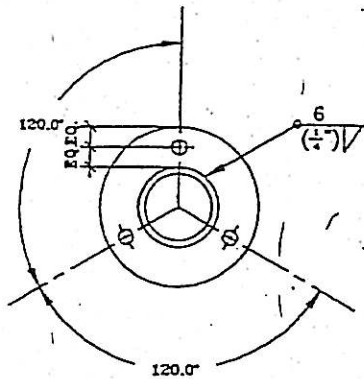
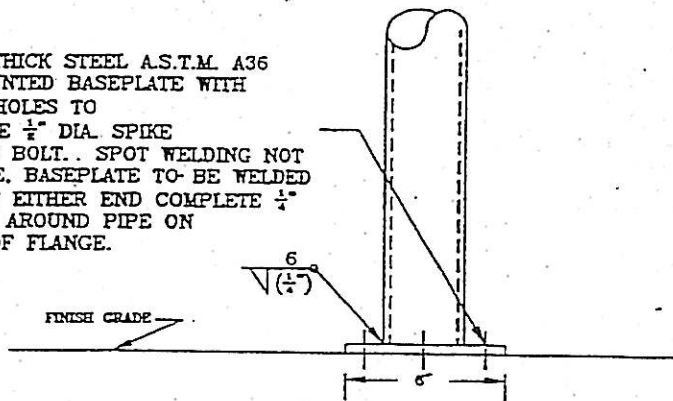


# BICYCLE PARKING RACK FLANGE DETAIL

6" DIA. X  $\frac{3}{8}$ " THICK BASE PLATE



6 DIA.  $\frac{3}{8}$ " THICK STEEL A.S.T.M. A36  
 FLUSH MOUNTED BASEPLATE WITH  
 THREE  $\frac{1}{2}$ " HOLES TO  
 ACCOMODATE  $\frac{1}{2}$ " DIA. SPIKE  
 OR ANCHOR BOLT. SPOT WELDING NOT  
 ACCEPTABLE. BASEPLATE TO BE WELDED  
 TO PIPE AT EITHER END COMPLETE  $\frac{1}{4}$ "  
 WELD 360 AROUND PIPE ON  
 TOP SIDE OF FLANGE.

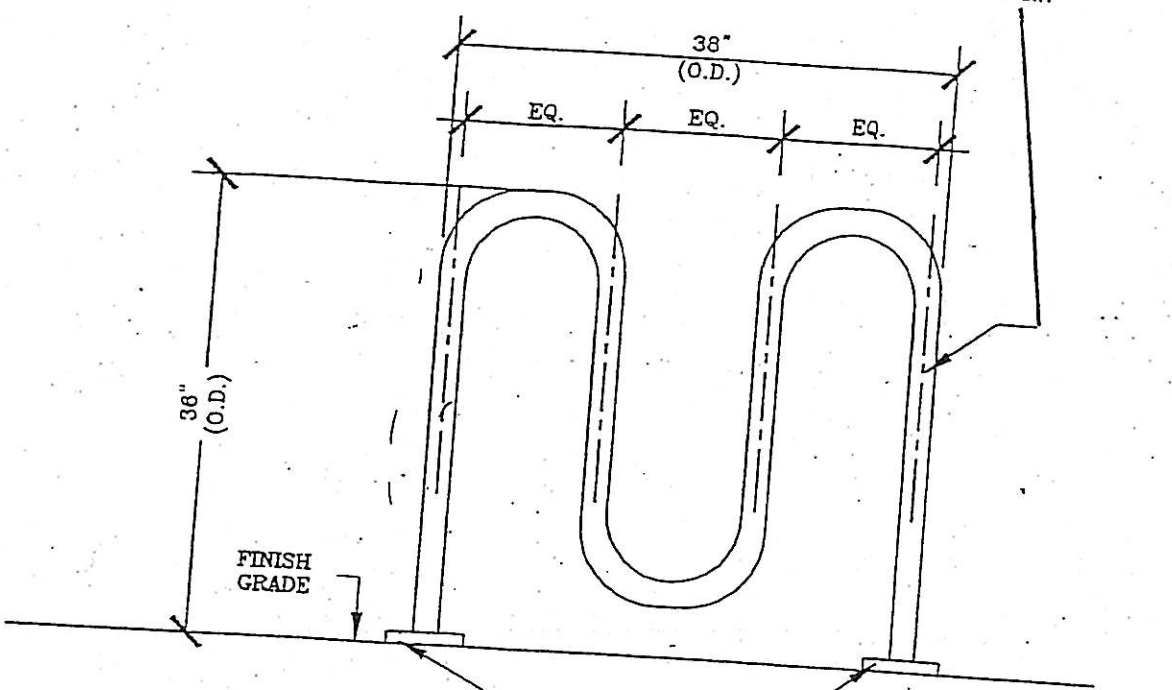


**BR-3** SURFACE MOUNT DETAIL

NYC-DOT	NEW YORK CITY DEPARTMENT OF TRANSPORTATION
FLANGE	DIVISION OF TRAFFIC PLANNING

Specifications for Furnishing and Installing In-Ground Bicycle Parking Racks

The square tube bicycle parking rack shall be composed of a thick square tubing with an extra stout 2"x2" (0.25 thick walls) square structural.



Base plate to be welded to pipe at either end complete 1/4 welded 360° degree around pipe on top side of base plate.

**SPOT WELDING IS NOT ACCEPTABLE.**

**BR-2:** Rack to be accommodate five(5) bicycles

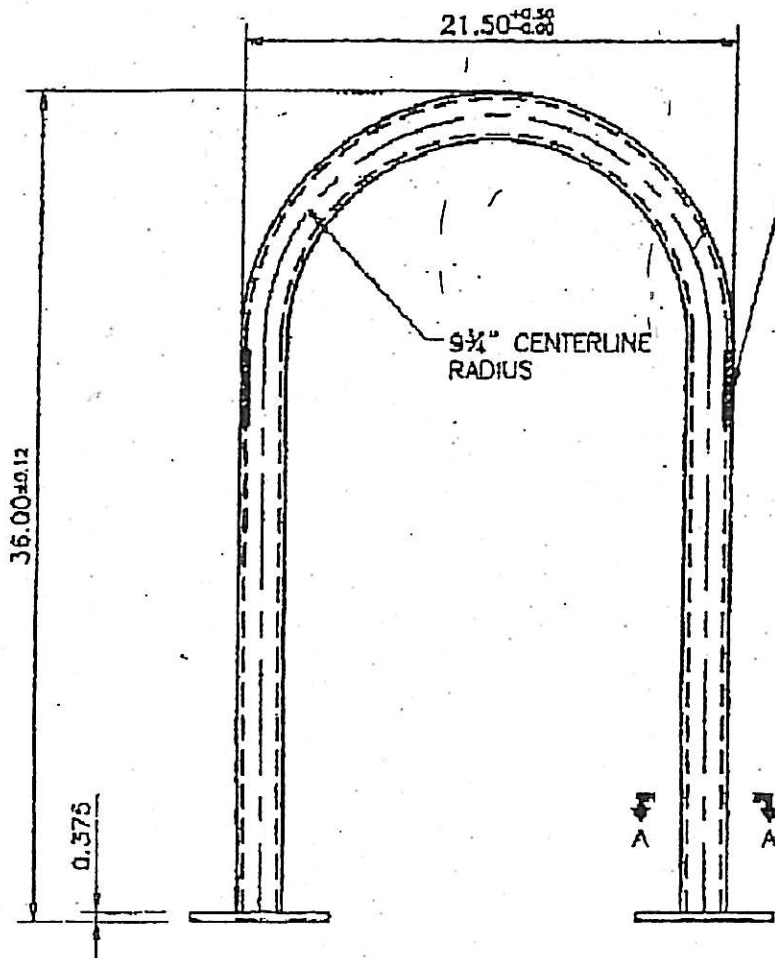
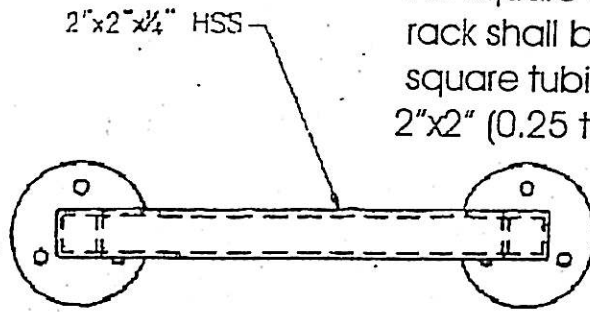
**NOTE:** Double loop rack to be coated with black polyester finish after fabrication and complete assembly of the entire unit.

NYC-DOT	NEW YORK CITY DEPARTMENT OF TRANSPORTATION DIVISION OF TRAFFIC PLANNING

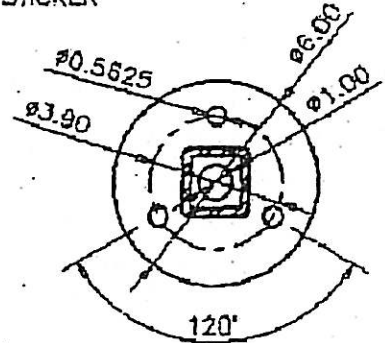
Specifications for furnishing and installing In-ground Bicycle parking racks

REV	DESCRIPTION	DATE	BY
0			

The square tube bicycle parking rack shall be composed of a thick square tubing with an extra stout 2"x2" (0.25 thick walls) square structural.



NYDOT STICKER



**SECTION A**  
FLANGE DETAIL

**BR-1** BICYCLE RACK DETAIL

**NOTE:** Single loop rack to be coated with black polyester finish after fabrication and complete assembly of the entire unit.



NYDOT

PROJECT

2"x2"x1/4" HSS BICYCLE RACKS

DIVISION OF TRAFFIC PLANNING

SCALE 1 1/2" = 1'-0"