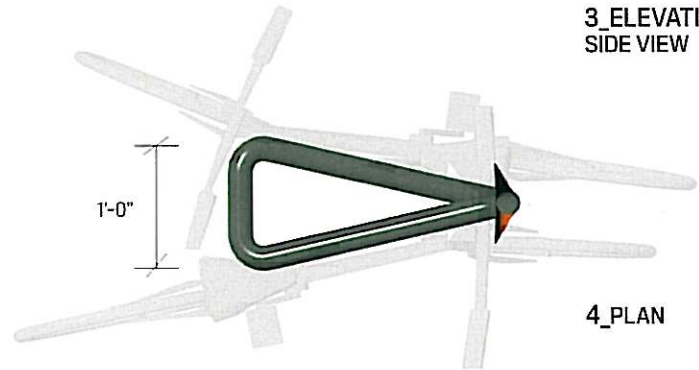


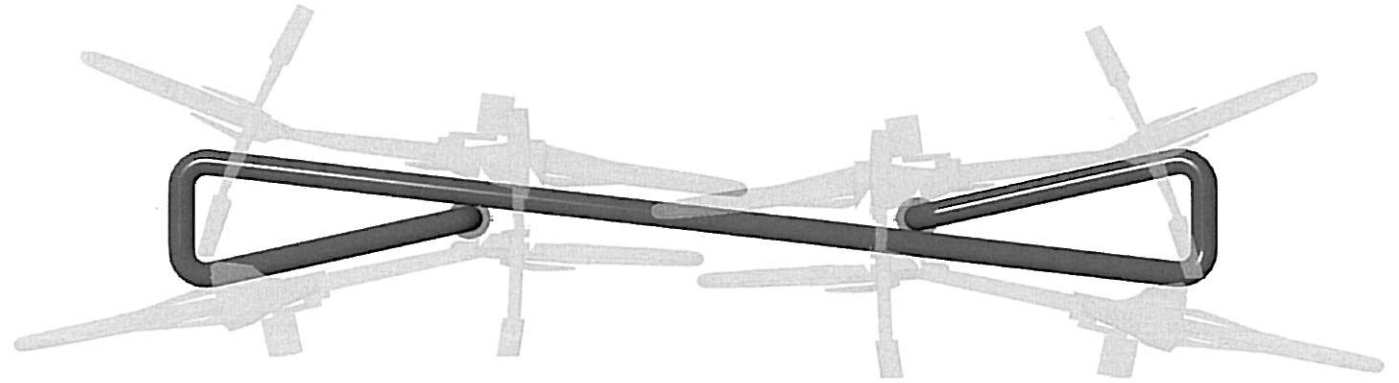
1_ELEVATION
INSIDE OF SIGN

2_ELEVATION
OUTSIDE OF SIGN

3_ELEVATION
SIDE VIEW



4_PLAN

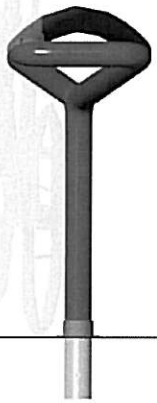


1_PLAN

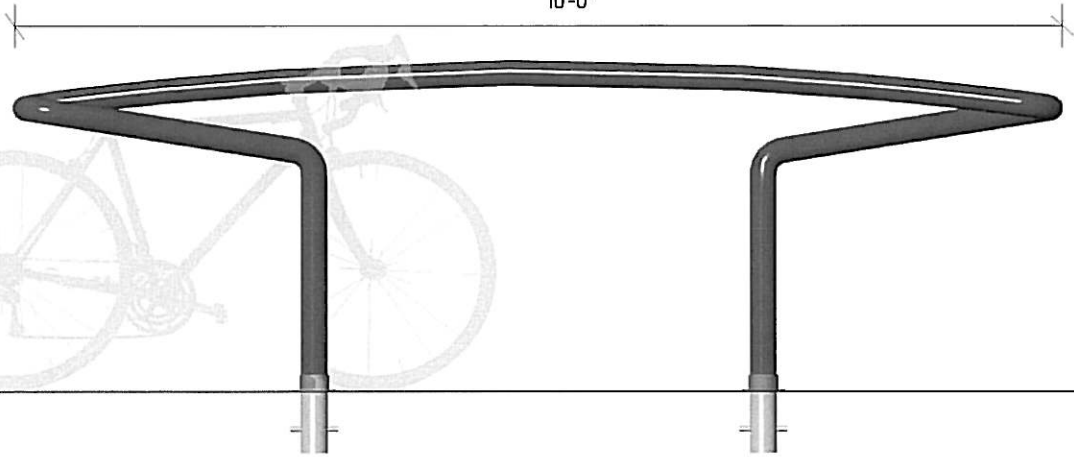
1'-0"

3'-0"

10'-0"



1_ELEVATION



2_ELEVATION

SIDEWALK RACK

VARIATION FOR MULTIPLE BIKES
To be used in conjunction with the basic design
in places that require mass-parking.